

Suitable for repairs of steel, cast iron, brass, asbestos cementos and plastic pipes.
Clamp is suitable for total break.

Use:

For water, gas and sewage
Temperature range: -30°C - +110°C

Options:

Non standard lengths and sizes
Clamp of stainless steel, AISI 316
Gasket of EPDM (-50°C - +140°C)
Gasket of SBR (-40°C - +85°C)
Bolts, nuts and washers of stainless steel A4
Flanged outlet (2"-20")
Threaded outlet, male/female (1/2"-4")
PE on request
Clamp can be supplied with support plate, fingers or bolts welded with an interval of 50 mm.

Quality:

Supplier certified according to
NEN-EN-ISO 9001 certificate.

Materials:

Clamp	Stainless steel, AISI 304
Gasket	NBR rubber
Bolts	Stainless steel, A2, teflon coated
Nuts and washers	Stainless steel, A4
Protection cap	Plastic



Type FS 20



Type FST

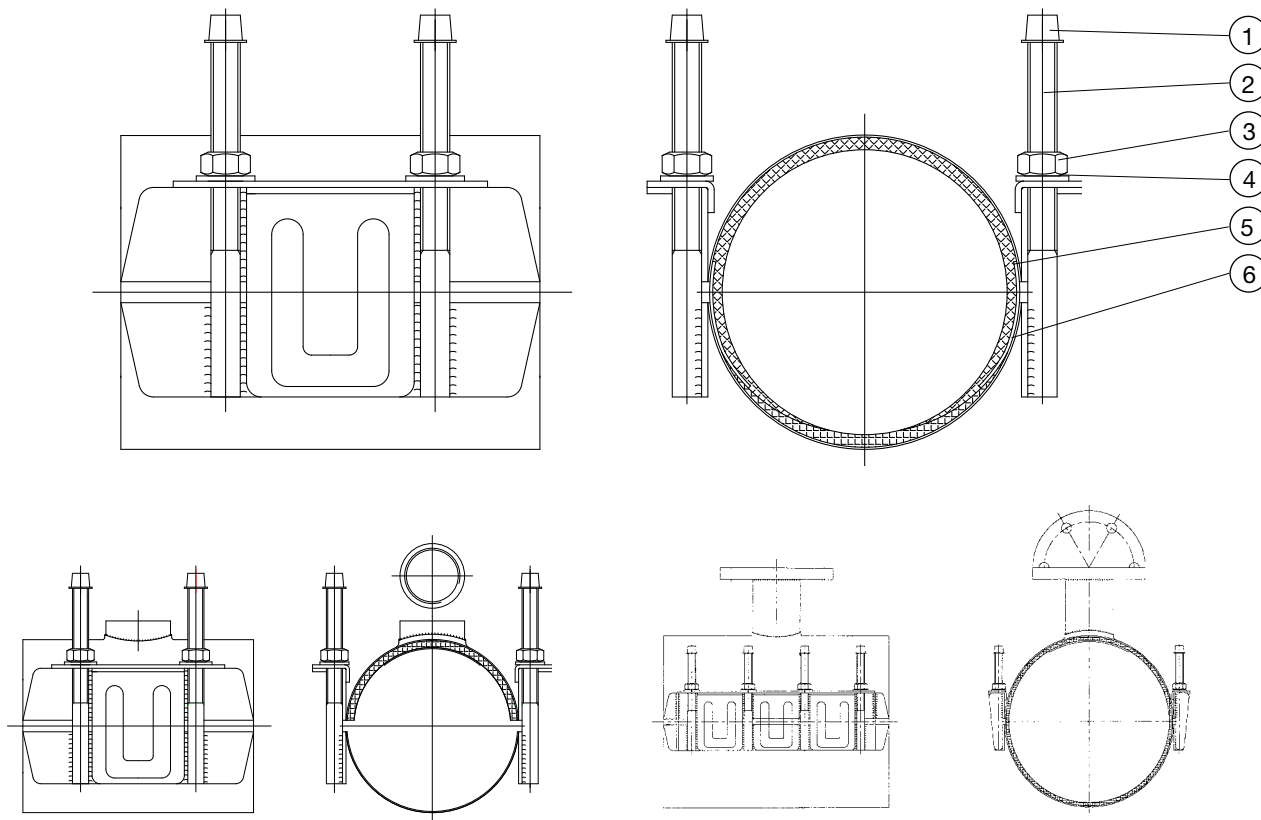


Type FSA

Suitable for repairs of steel, cast iron, brass, asbestos cementos and plastic pipes.
Clamp is suitable for total break.

Component list

- | | |
|-------------------|-----------|
| 1. Protection cap | 4. Washer |
| 2. Bolt | 5. Gasket |
| 3. Nut | 6. Clamp |



Ref. nos.	Sealing range mm	Ref. nos.	Sealing range mm	Ref. nos.	Sealing range mm
729-X110-2Y05ZZ	88-110	729-X238-2Y05ZZ	216-238	729-X430-2Y05ZZ	410-430
729-X120-2Y05ZZ	100-120	729-X246-2Y05ZZ	225-246	729-X440-2Y05ZZ	420-440
729-X128-2Y05ZZ	108-128	729-X250-2Y05ZZ	230-250	729-X455-2Y05ZZ	435-455
729-X134-2Y05ZZ	114-134	729-X260-2Y05ZZ	240-260	729-X470-2Y05ZZ	450-470
729-X140-2Y05ZZ	120-140	729-X270-2Y05ZZ	250-270	729-X488-2Y05ZZ	468-488
729-X150-2Y05ZZ	130-150	729-X289-2Y05ZZ	269-289	729-X510-2Y05ZZ	490-510
729-X155-2Y05ZZ	135-155	729-X293-2Y05ZZ	273-293	729-X530-2Y05ZZ	510-530
729-X160-2Y05ZZ	140-160	729-X302-2Y05ZZ	282-302	729-X540-2Y05ZZ	520-540
729-X180-2Y05ZZ	159-180	729-X315-2Y05ZZ	295-315	729-X570-2Y05ZZ	550-570
729-X185-2Y05ZZ	165-185	729-X335-2Y05ZZ	315-335	729-X590-2Y05ZZ	570-590
729-X189-2Y05ZZ	168-189	729-X344-2Y05ZZ	322-344	729-X610-2Y05ZZ	590-610
729-X190-2Y05ZZ	170-190	729-X358-2Y05ZZ	337-358	729-X650-2Y05ZZ	630-650
729-X196-2Y05ZZ	176-196	729-X367-2Y05ZZ	347-367		
729-X210-2Y05ZZ	190-210	729-X385-2Y05ZZ	365-385		
729-X217-2Y05ZZ	195-217	729-X402-2Y05ZZ	382-402		
729-X230-2Y05ZZ	210-230	729-X420-2Y05ZZ	396-420		

X: Type

- 0 = FS 20
- 2 = FSA
- 3 = FST

Y: Width

- | | |
|------------|------------|
| 0 = 100 mm | 4 = 300 mm |
| 1 = 150 mm | 5 = 400 mm |
| 2 = 200 mm | 6 = 500 mm |
| 3 = 250 mm | 7 = 600 mm |
| | 9 = 800 mm |

ZZ: Threaded BSP outlet type FSA

- | | | | |
|--------------------|------------------|--------------------|------------------|
| 06 = 1/2" female | 07 = 1/2" male | 16 = 2" female | 17 = 2" male |
| 08 = 3/4" female | 09 = 3/4" male | 18 = 2 1/2" female | 19 = 2 1/2" male |
| 10 = 1" female | 11 = 1" male | 20 = 3" female | 21 = 3" male |
| 12 = 1 1/4" female | 13 = 1 1/4" male | 22 = 4" female | 23 = 4" male |
| 14 = 1 1/2" female | 15 = 1 1/2" male | | |

ZZ: Flanged outlet type FST

- | | | |
|-------------|----------|----------|
| 40 = 2" | 55 = 6" | 76 = 20" |
| 43 = 2 1/2" | 58 = 8" | |
| 46 = 3" | 61 = 10" | |
| 49 = 4" | 64 = 12" | |
| 52 = 5" | 70 = 16" | |

For type FS 20, the last 2 digits (ZZ) are not available.