

HDPE



**Weldable high-density polyethylene
for waste and drainage systems**



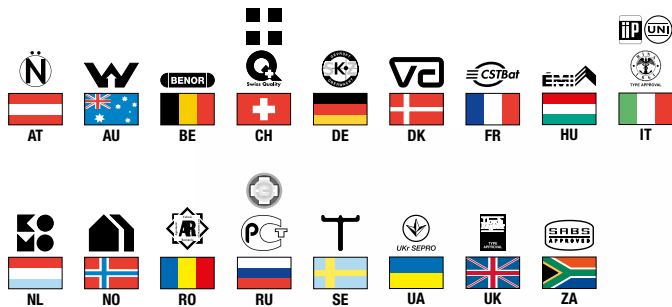
valsir[®]
QUALITY FOR PLUMBING



La Scala theatre - Milan (Italy)

HDPE

Valsir HDPE, the versatility of a waste system in high density polyethylene



Valsir HDPE is a fusion welded system made up of pipes, fittings and accessories, suitable for all installation types, destined to waste and rainwater drainage.

Valsir HDPE is the ideal solution for installations above ground, thanks to its resistance to UV light; and below ground or embedded in concrete, thanks to its exceptional mechanical characteristics.



Valsir HDPE is produced in compliance with European Standard EN 1519 and can be used in **waste systems at low** (as low as -40°C) **and high temperatures** (up to $+95^{\circ}\text{C}$), in ventilation systems of waste networks and for rainwater drainage inside civil and industrial buildings, hotels, hospitals and laboratories thanks to its high resistance to chemical compounds.

The wide range of pipes, fittings and accessories allows a complete waste system to be constructed, from the branches of the sanitary fixtures, to the soil stacks and soil manifold.

MADE IN ITALY



Soul Apartments - Gold Coast (Australia)

A SYSTEM WITH ADVANCED CHARACTERISTICS

The advantages of using the Valsir HDPE waste system

- Wide range of **diameters from DN 32 mm to DN 315 mm**, available in **SDR 26** and **SDR 33**.
- The pipes are **stabilized** to reduce dimensional variations and contain carbon black for **UV light resistance**.
- Possibility of **prefabrication** to reduce assembly times on site and possibility of creating **special pieces** for particular applications and solutions.
- **High chemical resistance** to substances dissolved in civil and industrial waste waters.
- Resistance to intermittent discharges at **temperatures as high as 95°C**.
- High resistance to extremely rigid temperatures as **low as -40°C**.
- **Excellent abrasion resistance** and mechanical strength.
- **Highly versatile and easily installed** thanks to its light weight and numerous connection methods that allow wastage to be reduced to a minimum.
- Wide range of transition fittings for connection to other waste systems such as cast iron, PE, PP, PVC.
- The product, its total recyclability and the production processes used are all based on the **Green Building principles**, respecting the environment and conserving resources.

High density polyethylene

The pipes and fittings are made of high density, UV light resistant, polyethylene that guarantees high **mechanical resistance**, excellent **abrasion resistance**, **extremely smooth surfaces** and high **resistance to chemical agents**.



The Valsir HDPE waste system has a high resistance to the most common chemical agents and has an extremely smooth internal surface which prevents the build-up of deposits within the waste network.

All Valsir HDPE pipes are stabilized to eliminate residual tensions caused by the production process and to reduce dimensional variations.



Ø32 Ø40 Ø50 Ø56 Ø63 Ø75 Ø90 Ø110 Ø125 Ø160 Ø200 Ø250 Ø315

SOLUTIONS FOR ALL REQUIREMENTS

The range is made up of 3 and 5 m length pipes, available in SDR 26 and SDR 33 and a wide range of fittings and accessories that allow the most varied system configurations to be constructed.

From a 32 mm diameter for creating branches, to a 315 mm diameter for waste manifolds.

The range is made complete with coupling accessories for connections to the other Valsir waste systems, anchor clips and all the equipment necessary for installation.



Fire collars

When fire protection standards or local regulations require the **compartmentalization of rooms** such as, for example, central heating plants, underground car parks and industrial facilities that are at risk of fire, then fire collars can be used.

To meet all system requirements and the most strict fire protection regulations a **complete range** is available that includes diameters **from 40 to 315 mm**. Polyethylene is combustible and in fire protection class B2 in compliance with DIN 4102 and in class E in compliance with EN 13501-1.

It is important to remember that the material that makes up the Valsir HDPE waste system is polyethylene and therefore, unlike other materials such as PVC, it doesn't produce carcinogens, such as dioxins and vinyl chloride in the event of fire.

Valsir can **supply a waste system with a 110 mm and 160 mm diameter ventilation branch.**

This is the ideal solution in high-rise buildings where the simultaneous use factor of the sanitary appliances is high.

This innovative waste system guarantees excellent ventilation of the waste stack and branches on each floor, limiting pressure fluctuations in the system.

This system also offers significant advantages in terms of money savings thanks to the possibility of constructing single stacks (therefore without installing parallel ventilation) in **one single diameter, either 110 mm or 160 mm with double the draining capacity** as compared to systems with primary ventilation.

The ideal solution in high-rise buildings

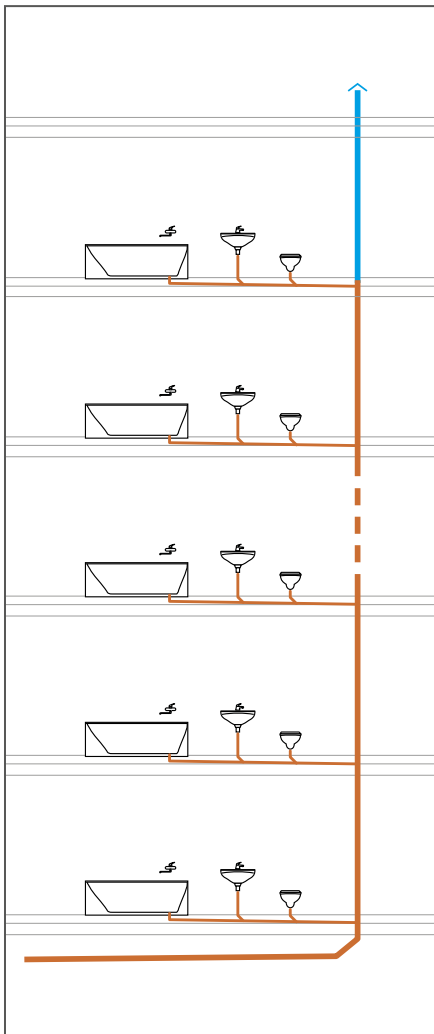
- **Single soil stack**, a parallel ventilation pipe is not required.
- **Increase in drainage flow** in comparison with conventional systems.
- **Reduction in speed** of waste flow.
- **Excellent ventilation** of the stack and branches of each floor.
- **Up to 6 connections** on one branch fitting.
- Up to **45* apartments** can be connected to the same soil stack with a **110 mm diameter** and up to **195* apartments** can be connected to a **160 mm diameter soil stack.**

* The number of apartments depends on the composition of the same.

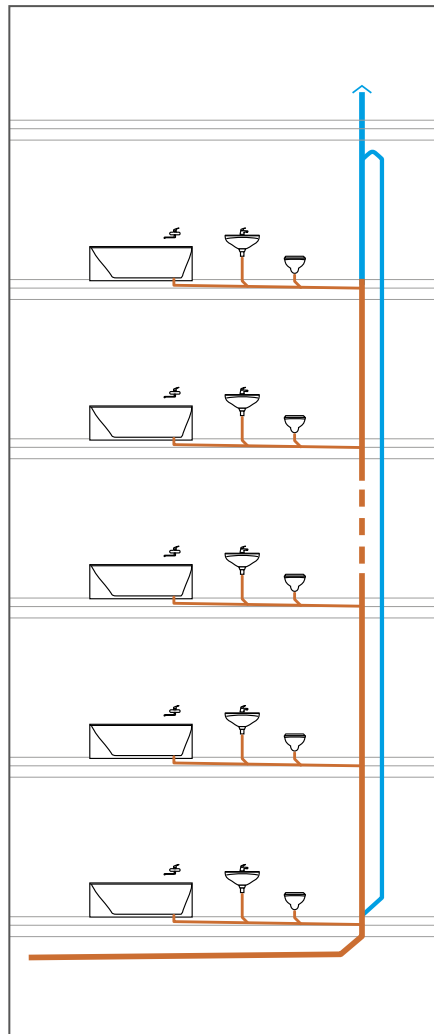


A waste system with a Valsir HDPE “ventilation branch” allows greater volumes to be drained than any other waste system (primary ventilation systems, direct or indirect parallel ventilation systems, secondary ventilation systems) thanks to the supply of ventilation air to the branches and the absence of return flows guaranteed by the special geometric configuration of the fitting.

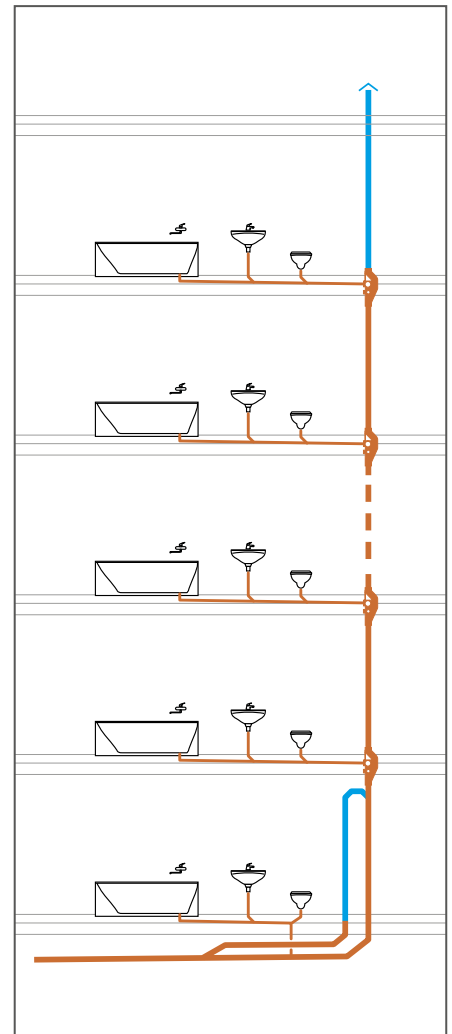
System with primary ventilation



System with parallel ventilation



System with ventilation branches



Drainage capacity **40% greater** than waste systems with primary ventilation.

Drainage capacity is **120% greater** than waste systems with primary ventilation.

EASE AND VERSATILITY OF INSTALLATION

Thanks to the numerous jointing systems Valsir HDPE guarantees an easy and versatile installation also due

to the possibility of prefabricating system parts and assembling them on site.



Butt-welding

This jointing method allows the greatest savings in space. If performed using a welding machine equipped with jaws, miller and heating plate but for diameters up to 63 mm it can be done manually using a heating plate only. It is the most suitable welding method for the prefabrication of system parts to be assembled later on site.



Electrofusion couplings

This is the most practical method of jointing. It requires the use of a welding machine that supplies electricity to the sleeve to bring it to the point of fusion and for connecting the pipes and/or fittings. This welding method acts on the external surface of the pieces to be welded without affecting the internal surface of the pipe.



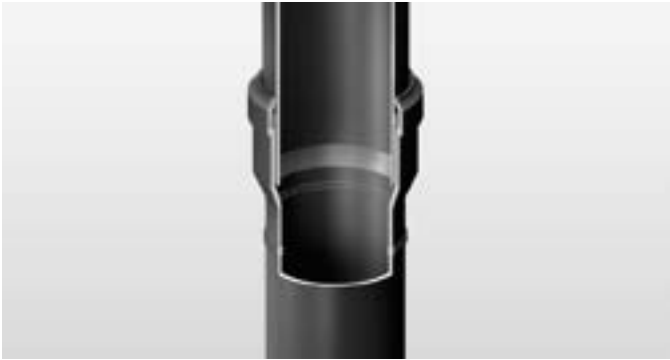
Flange fitting

This jointing system is used to connect tanks or hydraulic appliances with flange connections. It is a removable joint and is stress-rupture resistant.



Screw thread fitting

This is a removable joint that is useful where system parts need to be connected together and practical and rapid removal is necessary. If it is not fitted with a collar then this type of joint will not supply stress resistance, and requires the pipe to be suitably anchored.



Ring seal socket

This jointing system uses a push-fit socket and seal to connect prefabricated system parts together. This type of joint does not provide stress resistance; it must therefore be used with a suitable system for anchoring the pipe.



Expansion sleeve

This jointing system incorporates a seal that is used to compensate any thermal expansion in horizontal and vertical segments of the waste system. This type of joint does not provide stress resistance; it must therefore be used with a suitable system for anchoring the pipe.



Contraction expansion socket

This jointing system is suitable for connecting systems made of other materials to the polyethylene pipe, especially when the structure and surfaces are irregular. Water tightness is guaranteed by the seals in the joint; it is not stress resistant.



Threaded fitting

This jointing system is used to connect polyethylene pipes to threaded metal pipes. It is available both with a male or a female thread.



APPLICATIONS

Valsir HDPE is extremely easy to use, it offers numerous jointing methods and meets all installation requirements.

Valsir HDPE is used to construct drainage systems for waste water and rainwater in residential buildings and in collective buildings such as offices, hotels, hospitals, schools, police barracks, factories, sports centres.

Its excellent resistance to UV light allows surface mounting both indoors and outdoors.

Valsir HDPE can be embedded in concrete. In fact, its elasticity is such that the mechanical stress that is induced inside the pipe wall due to thermal expansion and contraction, is perfectly compatible with the mechanical resistance of the material itself.

Finally, thanks to its abrasion and impact resistance and its flexibility, it can be used in the ground.





THE WELDING PROCESS



Manual butt-welding

Thanks to the extremely light weight of polyethylene, pipes and/or fittings up to a 63 mm diameter can be butt-welded using a manual process which involves the use of a heating plate only. It's an extremely convenient jointing method on site.



Machine butt-welding

Valsir supplies butt-welding machines that weld up to 315 mm diameters. This process is extremely useful for the prefabrication of system parts that are then installed and connected on site using the other numerous jointing methods, such as welding with electrofusion sleeves.



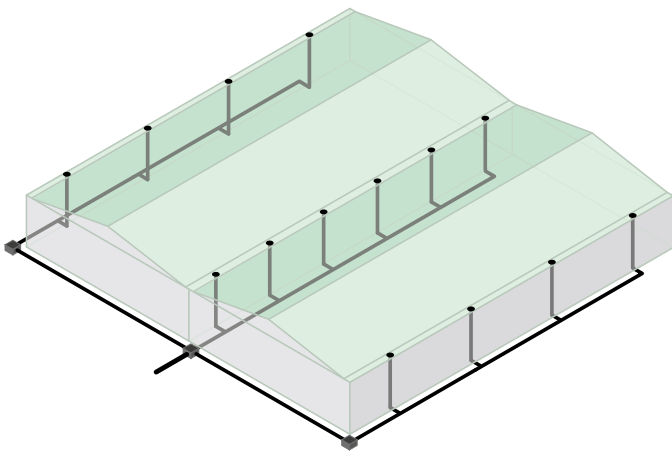
Electrofusion couplings

Thanks to the use of electrofusion couplers that are available in 40 mm diameters to 315 mm diameters, all system parts can be prepared. Valsir supplies two types of welding machines that guarantee rapid, uncomplicated and extremely reliable welding.

RAINPLUS, SYPHONIC RAINWATER DRAINAGE

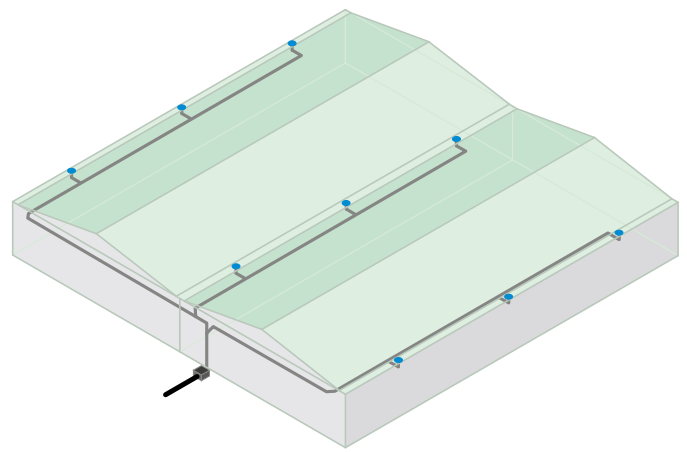
Valsir HDPE pipes and fittings are an integral part of Rainplus®, a syphonic rainwater drainage system designed to reach maximum drainage performance with the lowest levels of water accumulation on the roof.

Valsir's technological know-how fully meets increasingly heavier rainfalls, guaranteeing the drainage of medium to large size buildings in total safety.



Conventional systems

- Collector pipes with slope.
- High number of outlets.
- High number of downpipes.
- Significant digging work.



Rainplus system

- Fewer downpipes.
- Horizontal collector pipes.
- Limited digging.
- Fewer outlets.

Advanced technology in syphonic drainage

Rainplus® features the most up to date technology in the building sector and in rainwater drainage from the roofs of medium to large size buildings.

The system uses the building height as the driving force to generate high speed flow rates thus maximising drainage efficiency.

Rainplus® allows the entire flow of water to be directed to any part of the building whatsoever, thus allowing the most modern rainwater harvesting systems to be installed as required by the Green Buildings Program.

This technology offers numerous advantages, such as a significant reduction in costs and installation times as well as an increase in the performance of the entire drainage system.

- **Economical.** As compared with conventional systems, Rainplus® requires a lesser number of roof outlets and allows a substantial reduction in pipe diameters, in the number of fittings and downpipes required; savings of up to 80% are easily achieved on vertical pipes and from 20 to 30% across the entire system.
- **Space saving.** The roof outlets are connected to single horizontal collector pipes installed without fall and downpipes are positioned along the building perimeter thus avoiding interference.
- **High performance.** When in operation, pipes are full over the entire system, drainage velocity is therefore greater resulting in the self-cleansing action of the pipework.
- **Sustainability.** Given the greater ease in directing the pipes to storage tanks, collection of rainwater is facilitated for reuse in irrigation systems, fire ponds and tanks for non-potable uses in general.
- **Time saving.** Construction programmes are accelerated due to reduced installation times and less groundwork is required due to the reduced number of embedded pipes.
- **Increased flexibility in planning.** Complete control over the positioning of downpipes and the absence of embedded collector pipes gives greater freedom in the definition and planning of a syphonic system.





Shopping center Etnapolis - Catania (Italy)

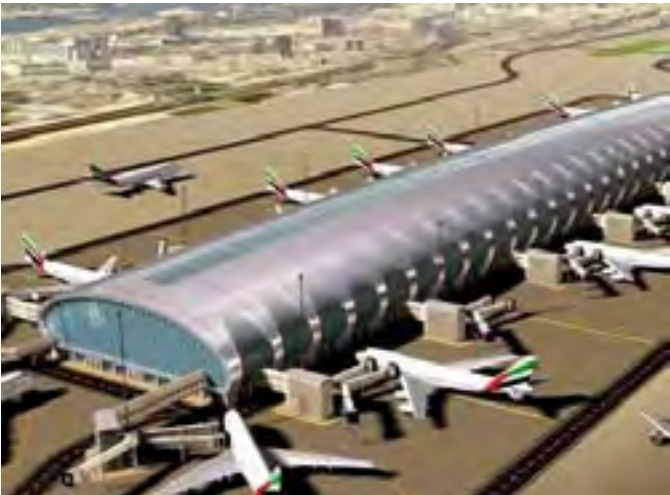
REFERENCES



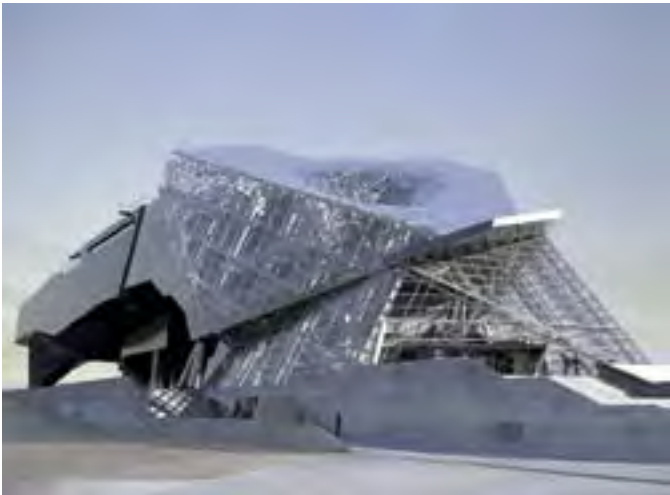
Arzanah Medical Complex - Abu Dhabi (United Arab Emirates)



Crowne Plaza - Abu Dhabi (United Arab Emirates)



International Airport - Abu Dhabi (United Arab Emirates)



Le musée des Confluences - Lyon (France)



Ikea-Tempe - Sydney (Australia)



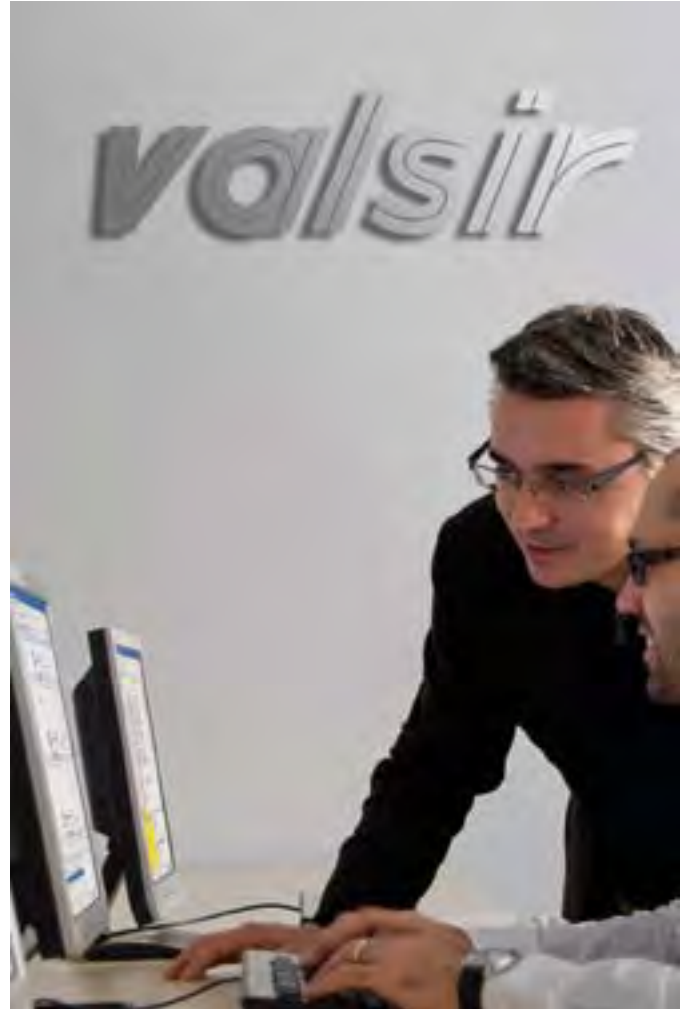
Hotel Scandic by Hilton - Bari (Italy)



TECHNICAL SUPPORT AND ASSISTANCE

Valsir provides complete support both during the planning phase and on site, thanks to a first-class technical office made up of a team of highly experienced engineers, capable of dealing with the most complex system requirements.

Valsir also boasts an important training centre called **Valsir Academy** catering for clients, distributors, plumbers and planners. Two highly equipped halls are available where theoretical and practical courses are organized on the use and design of water supply systems using the Silvestro software, a program that was developed specifically within Valsir.



SILVESTRO SOFTWARE

The design of floor and radiator heating systems, water supply as well as waste and drainage systems, is extremely easy and the production of the project technical documents is extremely rapid when using the Silvestro software program.

Rapid, simple, unique, Silvestro allows the user to design and calculate primary, direct and indirect parallel or secondary ventilation systems, both in a plan view and vertical elevation plan.

The strong points are many:

- rapid learning curve thanks to a simple and intuitive interface;
- completely graphic background that facilitates input of the project details;
- automatic drawing of the loops in the floor radiant systems;
- automatic repositioning of the stack points on the plan view;
- generation of calculation reports that are exportable in an .xls format;
- import and export of files in .dwg format;
- immediate update of software with a guided procedure;
- creation of complete bill of materials from the project files.



QUALITY AND ENVIRONMENT



Efficient processes and reliable products are not the only parameters used to evaluate a company's conduct: today, in fact, the capacity of the company and its management team **to design and implement production processes that are sustainable from an environmental point of view** are of equal importance.

Valsir has always been committed to the manufacture of **recyclable products** and the implementation of **sustainable processes**, in line with the most advanced **Green Building** principles (green building and environmentally friendly project design), and today boasts highly sustainable production plants which, thanks to the use of renewable energy and planning that aims at the conservation of resources, have obtained a **Class A energy certificate**.

The consistency of Valsir's commitment is demonstrated by its **product approvals** which amount to **160** in total, obtained around the world from the most severe certification bodies (figure updated on 06/02/2013), and by the **certified quality system** in compliance with the European Standard **UNI EN ISO 9001:2008**.



Production processes and management systems that are verified, monitored and certified.



Sustainable factories and processes, the use of renewable energy, sustainability of resources.



Products verified, monitored and certified by recognised certification bodies.



Recyclable products and low impact production processes in observance of the Green Building principles.

THE VALSIR RANGE



WASTE SYSTEMS



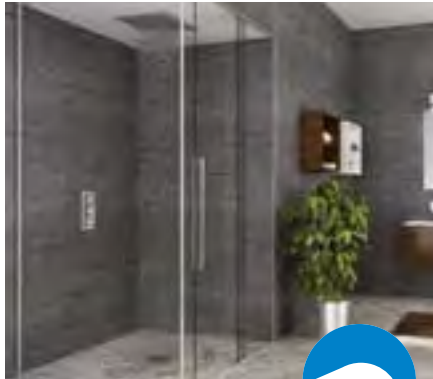
SUPPLY SYSTEMS



GAS SYSTEMS



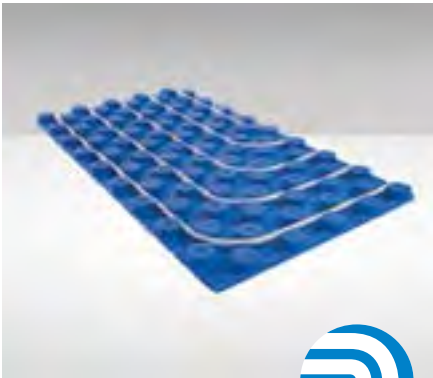
FLUSH CISTERNS



BATHROOM SYSTEMS



TRAPS



RADIANT SYSTEMS



DRAINAGE SYSTEMS



ACADEMY



L02-527/0 - Febbraio 2013

VALSIR S.p.A.
 Località Merlaro, 2
 25078 Vestone (BS) - Italy
 Tel. +39 0365 877.011
 Fax +39 0365 81.268
 e-mail: valsir@valsir.it

www.valsir.it

MADE IN ITALY



valsir[®]
 QUALITY FOR PLUMBING

